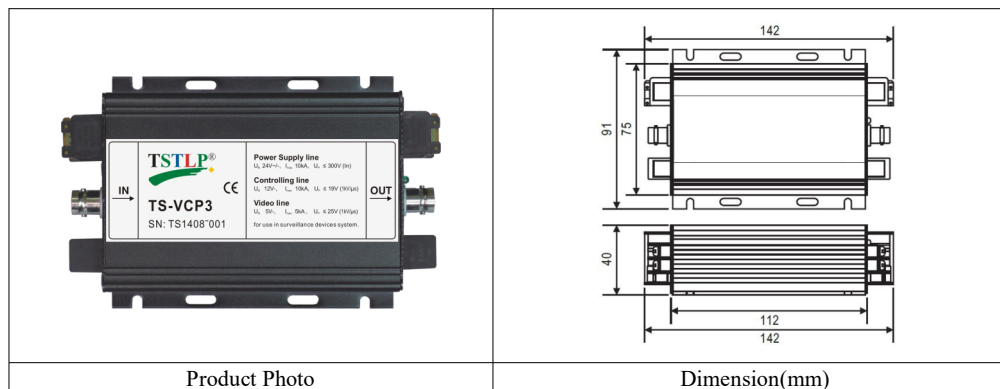




■ **TSTLP®/TS-VCP3 Surge Arrester for Security Surveillance System.**

❖ **INTRODUCTION:**TS-VCP3 3 in 1 is for protection of power supply lines, control signal lines and video signal lines of surveillance devices from surge damages, such as surveillance video receiver, high speed dome camera, fixed camera and so on. These products are widely applied in surveillance systems.



❖ **TECHNICAL DATA**

| Model | | TS-VCP3 | | | | | |
|------------------------------------|------------------|---|---|---------------------|----------------|----------------|----------------|
| Protection lines | | Video Line | Controlling Line | Power Supply line | | | |
| Nominal voltage | Un | 5V- | 12V- | 220V- | 48V- | 24V- | 12V- |
| Lightning impulse current(10/350) | I _{imp} | 0.5KA | 2KA | --- | --- | --- | --- |
| Nominal discharge current (8/20) | In | 2.5KA (line-shield) 5KA (shield-PG) | 5KA (line-shield) 5KA (shield-PG) | 5KA | 5KA | 5KA | 5KA |
| Max. discharge current (8/20) | I _{max} | 5KA (line-shield) 10KA (shield-PG) | 10KA (line-shield) 10KA (shield-PG) | 10KA | 10KA | 10KA | 10KA |
| Voltage protection level at In | Up | ≤25V (line- shield) ≤25V (shield-PG) | ≤25V (line- shield) ≤25V (shield-PG) | ≤950V (L-N) | ≤450V (L-N) | ≤300V (L-N) | ≤240V (L-N) |
| Voltage protection level at 1kV/μs | Up | ≤25V (line- shield) ≤25V (shield-PG) | ≤19V (line- shield) ≤19V (shield-PG) | --- | --- | --- | --- |
| Response time | t _A | ≤1ns (line- shield) ≤100ns(shield -PG) | ≤1ns (line- shield) ≤100ns (shield-PG) | ≤25ns | ≤25ns | ≤25ns | ≤25ns |
| Bandwidth | f _G | 10MHz | 2.9MHz | --- | --- | --- | --- |
| Max. data transmission rate | V _S | 16Mbits/s | --- | --- | --- | --- | --- |
| Series impedance | | --- | 1.9Ω | --- | --- | --- | --- |
| Insertion lose | | 0.4dB | 0.5dB | --- | --- | --- | --- |
| Connection (input/output) | | BNC/BNC (RS485) | Connecting terminal | Connecting terminal | | | |
| Operating temperature range | | -40°C...+80°C | | | | | |
| Relative humidity: | | 95% (25°C) | | | | | |
| Earthing via | | Earthing screw | | | | | |
| Enclosure material | | Aluminum | | | | | |
| Standards | | IEC 61643-21; GB 18802.21; YD/T 1542 | | | | | |
| Compliance | | CE(LVD,EMC) | | | | | |

❖ **MAIN CHARACTER**

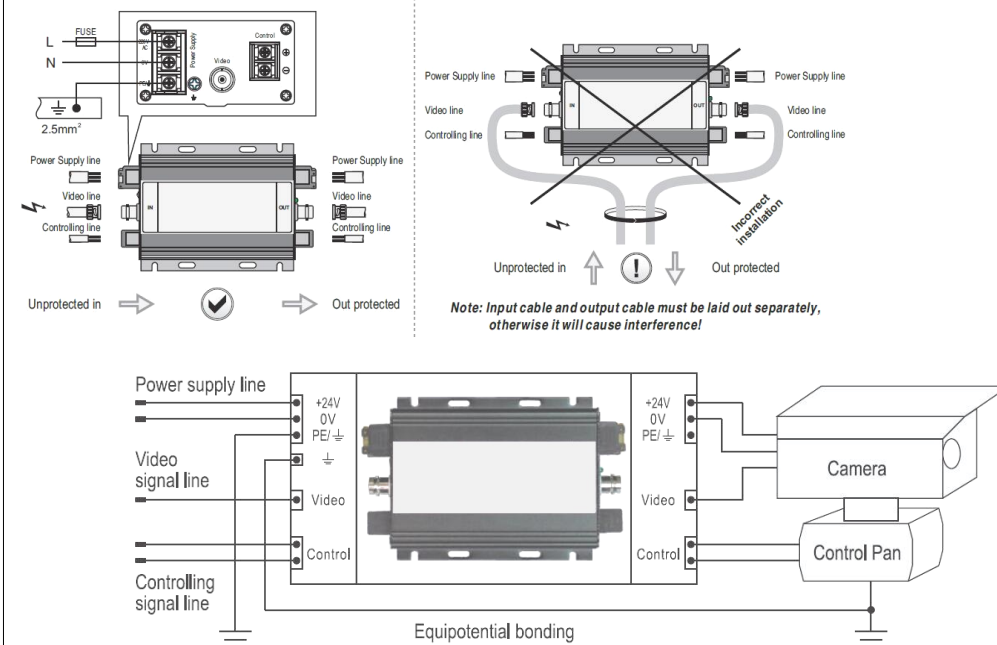
- ✓ Green light indicates normal and red light indicates fault for the power supply protection
- ✓ Integrated protection for power supply lines, control signal lines and video signal lines of the camera
- ✓ High discharge capacity, low voltage protection level
- ✓ Quick response, multilevel protection ,small interference to transmission signal
- ✓ Small volume,for installed on the 35 mm DIN rail.

INSTALLATION INSTRUCTION

1. This product is connected in series to the protected device.
2. Mount the SPD on the 35 mm DIN rail.
3. The out terminal should be connected to the protected devices.
Note: The “IN” terminal power supply must be installed with a backup fuse;
4. Earth lead should be connected to the earthing system, ideally using 2.5mm² cable, the cable should be as short as possible
5. On power up, the green light will be on.

Regularly inspect the operating status, especially after lightning. Once the communication is off, electrician should check/replace the SPD.

TS-VCP3 INSTALLATION DIAGRAM



WARNING:

- The device must be installed by electrically skilled person, conforming to national standards and safety regulations.
- It is recommended that installation should be done under power off condition.